

Features:

- Full-screen capacitive touchscreen design
- Modular design 10.1~21.5" selectable, supports square/wide screen
- Front panel meets IP65 requirements
- Front panel integrates USB Type-A and signal indicator lights
- Utilizes Intel® Celeron® J6412 low-power CPU
- Integrates dual Intel® Gigabit network cards
- Supports dual hard drive storage
- Supports APQ aDoor module expansion
- Supports WiFi/4G wireless expansion
- Fanless design
- Embedded/VESA mounting
- 12~28V DC power supply



Remote Management



Status Monitoring



Remote Operations and Maintenance

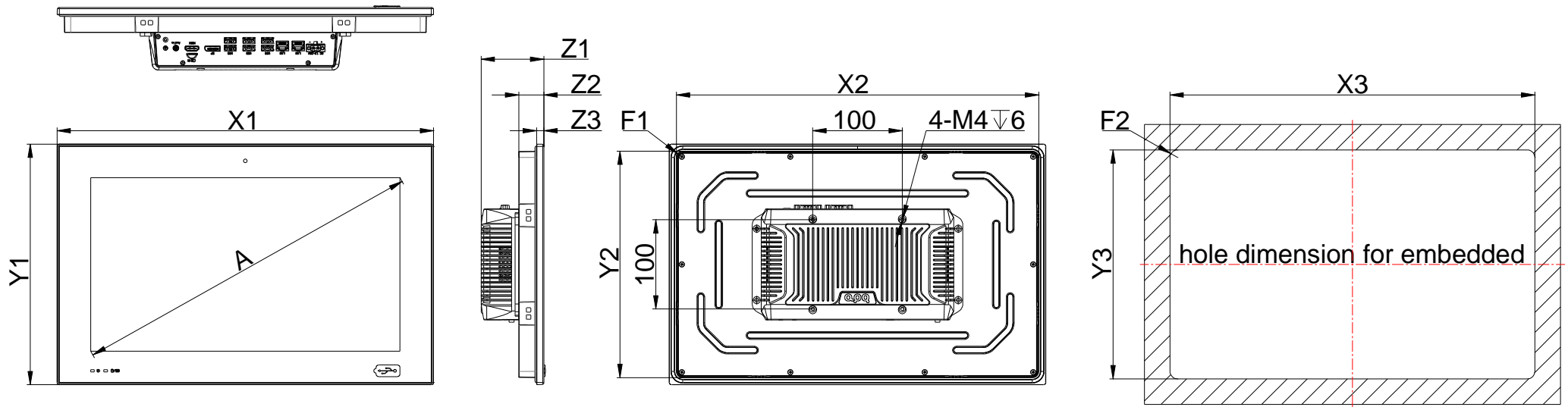


Security Control

Product Specifications

Model	PL101CQ-E5S	PL104CQ-E5S	PL121CQ-E5S	PL150CQ-E5S	PL156CQ-E5S	PL170CQ-E5S	PL185CQ-E5S	PL191CQ-E5S	PL215CQ-E5S	
LCD	Display Size	10.1"	10.4"	12.1"	15.0"	15.6"	17.0"	18.5"	19.0"	21.5"
	Display Type	WXGA TFT-LCD	XGA TFT-LCD	XGA TFT-LCD	XGA TFT-LCD	FHD TFT-LCD	SXGA TFT-LCD	WXGA TFT-LCD	WXGA TFT-LCD	FHD TFT-LCD
	Max.Resolution	1280 x 800	1024 x 768	1024 x 768	1024 x 768	1920 x 1080	1280 x 1024	1366 x 768	1440 x 900	1920 x 1080
	Luminance	400 cd/m2	350 cd/m2	350 cd/m2	300 cd/m2	350 cd/m2	250 cd/m2	250 cd/m2	250 cd/m2	250 cd/m2
	Aspect Ratio	16:10	4:3	4:3	4:3	16:9	5:4	16:9	16:10	16:9
	Viewing Angle	89/89/89/89°	88/88/88/88°	80/80/80/80°	88/88/88/88°	89/89/89/89°	85/85/80/80°	89/89/89/89°	85/85/80/80°	89/89/89/89°
	Max. Color	16.7M	16.2M	16.7M	16.7M	16.7M	16.7M	16.7M	16.7M	16.7M
	Backlight Lifetime	20,000 hr	50,000 hr	30,000 hr	70,000 hr	50,000 hr	30,000 hr	30,000 hr	30,000 hr	50,000 hr
	Contrast Ratio	800:1	1000:1	800:1	2000:1	800:1	1000:1	1000:1	1000:1	1000:1
Touchscreen	Touch Type	Projected Capacitive Touch								
	Controller	USB Signal								
	Input	Finger/Capacitive Touch Pen								
	Light Transmission	≥85%								
	Hardness	≥6H								
Processor System	CPU	Intel® Celeron® J6412								
	Base Frequency	2.00 GHz								
	Max Turbo Frequency	2.60 GHz								
	Cache	1.5MB								
	Total Cores/Threads	4/4								
	TDP	10W								
	Chipset	SOC								
	BIOS	AMI UEFI BIOS								
Memory	Socket	LPDDR4 3200 MHz (Onboard)								
	Capacity	8GB								
Graphics	Controller	Intel® UHD Graphics								
Ethernet	Controller	2 * Intel® i210-AT (10/100/1000 Mbps, RJ45)								
Storage	SATA	1 * SATA3.0 Connector (2.5-inch hard disk with 15+7Pin)								
	M.2	1 * M.2 Key-M Slot (SATA SSD, 2280)								
Expansion Slots	aDoor	1 * aDoor								
	Mini PCIe	1 * Mini PCIe Slot (PCIe2.0x1+USB2.0)								
Front I/O	USB	4 * USB3.0 (Type-A) 2 * USB2.0 (Type-A)								
	Ethernet	2 * RJ45								
	Display	1 * DP++: max resolution up to 4096x2160@60Hz 1 * HDMI (Type-A): max resolution up to 2048x1080@60Hz								
	Audio	1 * 3.5mm Jack (Line-Out + MIC, CTIA)								
	SIM	1 * Nano-SIM Card slot (Mini PCIe module provides functional support)								
	Power	1 * Power Input Connector (12~28V)								
Rear I/O	Button	1 * Power Button with Power LED								
	Serial	2 * RS232/485 (COM1/2, DB9/M, BIOS control)								
Internal I/O	Front Panel	1 * Front Panel (3x2Pin, PHD2.0)								
	FAN	1 * SYS FAN (4x1Pin, MX1.25)								
	Serial	2 * COM (JCOM3/4, 5x2Pin, PHD2.0) 2 * COM (JCOM5/6, 5x2Pin, PHD2.0)								
	USB	2 * USB2.0 (F_USB2_1, 5x2Pin, PHD2.0) 2 * USB2.0 (F_USB2_2, 5x2Pin, PHD2.0)								
	Display	1 * LVDS/eDP (default LVDS, wafer, 25x2Pin 1.00mm)								
	Audio	1 * Speaker (2-W (per channel)/8-Ω Loads, 4x1Pin, PH2.0)								
	GPIO	1 * 16bits DIO (8xDI and 8xDO, 10x2Pin, PHD2.0)								
	LPC	1 * LPC (8x2Pin, PHD2.0)								
Power Supply	Type	DC								
	Power Input Voltage	12~28VDC								
	Connector	1 * 2Pin Power Input Connector (12~28V, P= 5.08mm)								
	RTC Battery	CR2032 Coin Cell								
OS Support	Windows	Windows 10								
	Linux	Linux								
Watchdog	Output	System Reset								
	Interval	Programmable 1 ~ 255 sec								
Mechanical	Enclosure Material	Radiator/Panel: Aluminum, Box/Cover: SGCC								
	Mounting	VESA, embedded								
	Dimensions (L*W*H, Unit: mm)	272.1*192.7*70	284*231.2*70	321.9*260.5*70	380.1*304.1*70	420.3*269.7*70	414*346.5*70	485.7*306.3*70	484.6*332.5*70	550*344*70
Environment	Weight	Net: 2.9kg, Total: 5.1kg	Net: 3.0kg, Total: 5.2kg	Net: 3.2kg, Total: 5.5kg	Net: 4.6kg, Total: 7kg	Net: 4.5kg, Total: 6.9kg	Net: 5.2kg, Total: 7.7kg	Net: 5.2kg, Total: 7.8kg	Net: 5.9kg, Total: 8.5kg	Net: 6.2kg, Total: 8.9kg
	Heat Dissipation System	Passive heat dissipation								
	Operating Temperature	-20~60°C	-20~60°C	-20~60°C	-20~60°C	-20~60°C	0~50°C	0~50°C	0~50°C	0~60°C
	Storage Temperature	-20~60°C	-20~70°C	-30~80°C	-30~70°C	-30~70°C	-20~60°C	-20~60°C	-20~60°C	-20~60°C
	Relative Humidity	10 to 95% RH (non-condensing)								
Vibration During Operation	With SSD: IEC 60068-2-64 (1Grms@5~500Hz, random, 1hr/axis)									

Product Dimensions



A	System Dimension			Panel Mount							
	X1	Y1	Z1	X2	Y2	Z2	X3	Y3	Z3	F1	F2
10.1"	272.1	192.7	70	260.9	181.5	28	262.5	183.1	8	6.9	7.8
10.4"	284	231.2	70	268.1	215.3	28	269.9	217.1	8	7.1	8.5
12.1"	321.9	260.5	70	307	245.6	28	309.8	248.4	8	7.1	8.5
15.0"	380.1	304.1	70	364.2	288.2	28	367	291	8	7.1	8.5
15.6"	420.3	269.7	70	404.5	253.8	28	407.3	256.6	8	7.1	8.5
17.0"	414	346.5	70	398.2	330.6	28	401	333.4	8	7.1	8.5
18.5"	485.7	306.3	70	469.8	290.4	28	472.6	293.2	8	7.1	8.5
19.1"	484.6	332.5	70	468.7	316.6	28	471.5	319.4	8	7.1	8.5
21.5"	550	344	70	538.7	327.7	28	539.5	330.9	8	7.1	8.5

Product I/O

